



Bert Frank Colt Single LED Pendant

LA10433

SOURCE: <https://www.davidvillagelighting.co.uk/product/Bert-Frank-Colt-Single-LED-Pendant/10000122>



PRODUCT DESCRIPTION

Designer: Bert Frank Design Team

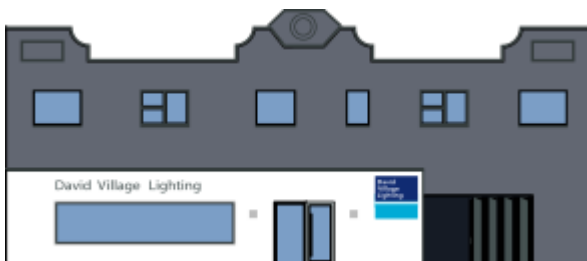
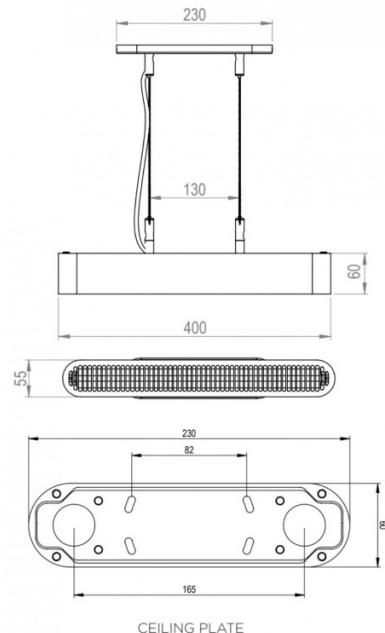
Colt Single LED Pendant Light by Bert Frank

The Colt single pendant is inspired by British engineering and classic racing cars, utilising the metal grill pattern that features prominently on them. The pendant lamp is made from heavyweight brass, using the best material and technical know-how to produce a top-quality product.

The Colt Single pendant lamp has an integrated LED source which escapes from the bottom and the top of the shade to provide a ceiling to floor glow. The lines that feature on the bottom of the lampshade add a touch of Art Deco and Brutalism, taking on different design forms depending on its surroundings. Perfect for many settings as a main light or useful over tables and surfaces, you can also match with others from the [Bert Frank Colt collection](#) for a consistent look.

PRODUCT SPECIFICATION

- Light Source:** 15.5W, 2700K
- IP Code:** 20
- Dimming:** Dimmable via mains phase dimming.
- Dimensions:**
 - Width: 40cm
 - Height: 6cm
 - Depth: 5.5cm
 - Ceiling Canopy Length: 23cm
 - Cable Length: 200cm



For all sales and technical enquiries, please contact:

+44 (0)114 263 4266

info@davidvillagelighting.co.uk

www.davidvillagelighting.co.uk