

m o o o i

LA10404/D

Moooi Raimond II Dome LED Pendant

SOURCE: <https://www.davidvillagelighting.co.uk/product/Moooi-Raimond-II-Dome-LED-Pendant/10000016>

PRODUCT DESCRIPTION

Designer: Raimond Pots

Raimond II Dome LED Pendant Light by Moooi

The Raimond II Dome pendant was designed and named after Raimond Pots. Pots was always fascinated by the geodesic dome and was curious about the prime numbers. The Raimond II Dome reflects both those passions, with a hemispherical shape and dimensions that reflect prime numbers (like the 79 cm diameter). Pots spent years experimenting with different materials and shapes, always trying to create geometric objects. With time came refinement, and together with the technological improvement of LED sources, Pots was more productive than ever. His work would always combine functionality and beauty, with a minimal design and maximum functionality.

The Dome pendant light might be half a sphere, but is a full and complete suspension. Small LED units are scattered across the stainless steel frame, resembling twinkling stars. It is only reasonable that Raimond Pots will forever be remembered as the man who brought the night sky into our homes. You can hang the Raimond II Dome above a dining table, in the living room, reception area and even create your own cluster with the different Raimond models available. The [Moooi Raimond II collection](#) includes the Tensegrity floor lamp, Zafu suspension and the Raimond II pendant light.

Please note that these lights are not dimmable via standard mains phase dimming. However, a Moooi wireless dimming switch is available to purchase separately which enables you to dim your Raimond II fitting without the need for additional wiring. The Wireless switch comes with a dimmable module that is fitted inside the ceiling canopy of your Moooi Raimond II. You can then use the switch to dim your Moooi Raimond II. Please [contact us](#) for further information and prices.



PRODUCT SPECIFICATION

Light Source: 23W, 2500K, 1331lumens

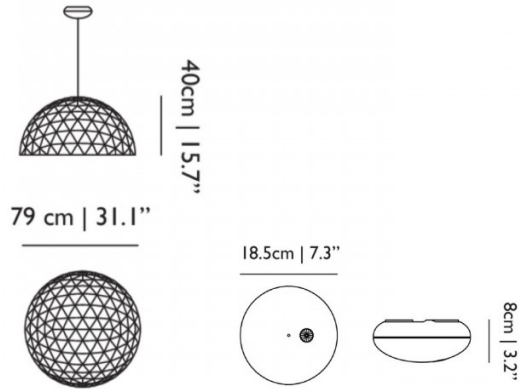
IP Code: 20

IP Code: 20

Dimming: Dimmable via Dali and Push to make dimming systems. Please consult your electrician, additional wiring may be required on site.

Also dimmable via a Moooi wireless dimming switch, purchased separately. Please contact us.

Dimensions: Shade: Ø79cm
Shade Height: 40cm
Ceiling Canopy: Ø18.5cm
Cable Length: 250cm



For all sales and technical enquiries, please contact:

+44 (0)114 263 4266

info@davidvillagelighting.co.uk

www.davidvillagelighting.co.uk